

Kedua collection

Chair

Santiago Sevillano

Spain, 2016

REF. 4061 / 4063 / 4065 / 4067 / 4071
4062 / 4064 / 4066 / 4068 / 4072



Kedua is a collection designed by Santiago Sevillano. This model is defined by a cozy seat of softly classic lines on legs that, in contrast, have a completely linear design.

The chair is composed of a polyurethane shell that can be upholstered in a wide range of colours and fabrics offered by Mobliberica. The user can create many combinations in the upholstery as the seat offers the possibility of upholstering the front and back with different fabrics. In addition, the seat can be combined with different types of legs. These can be metallic (fixed or swivel chair), and wooden (beech or ash wood) being the warmer result. The swivel chair option is available with or without a self-return swivel mechanism.

mobliberica

MOBILIARIO AUXILIAR DE DISEÑO, S.L. • CTRA. N340, KM. 704,4 • 03330 CREVILLEN (ALICANTE). SPAIN. • TEL. +34 965 40 70 05
MOBLIBERICA.COM • INFO@MOBLIBERICA.COM •   

MAIN CHARACTERISTICS

Dining chair conceived for prolonged use. With the option of full upholstery in a single fabric or in a combination of two different fabrics for the interior and exterior of the seat.

The range of feet is composed of two fixed metal feet, a fixed wooden foot and a two swivel metal feet.

MATERIALS

Foot structure:

Ref. 4061/4062:

Chassis in E220 pickled steel with 3 mm thick seat fastening plates, cross members in curved Ø20x2 mm section tube and tapered legs with triangular section of 30 mm side and thickness 1,5 mm.

Ref. 4063/4064/4065/4066/4067/4068:

Chassis in E220 pickled steel with 3 mm thick seat fastening plate, central Ø70x1,5 mm section tube and tapered legs with triangular section of 30 mm side and thickness 1,5 mm.

Ref. 4071/4072:

Chassis in E220 pickled steel with 3 mm thick fastening plates for the seat and the feet. Cross members in oval section tube of 30x15 mm and thickness 1,5mm.

Legs made of ash or oak wood and lacquered in the "RO" or "W" finishing collection by Mobliberica.

Fasteners:

Foot fixed to the seat by 4 screws ISO 7380-2 - M6x25.

Coating:

Powder coated structure formulated with polyester resins, with excellent weather resistance to the elements and maximum light fastness. Painting according to the international specifications of QUALICOAT, complying with ISO 2409 and ISO 2360 standards for adherence and thickness, among others.

In order to confirm the suitability of Mobliberica products, the coating applied to the structure has undergone a series of tests as part of the "Corrosion test in artificial atmospheres (salt spray chamber) with an exposure of 500 hours for pickled steel components and 1000 hours for aluminium components. According to the UNE EN ISO 9227 standard, the result is satisfactory.

Wooden parts lacquered using products with excellent light stability and resistance to yellowing.

For further information on lacquers, please refer to the Mobliberica finishes annex.

Seat:

Rigid shell in injected polyurethane foam density 1,050-1,150 kg/m³ covered with polyurethane foam density 30 kg/m³. Fully upholstered with the Mobliberica fabric collection.

For further information on fabrics, please refer to the Mobliberica finishes annex.

Glides:

Customised and manufactured in Thermoplastic Polyurethane (TPU) with integrated felt base.

Black or grey depending on the colour of the structure.

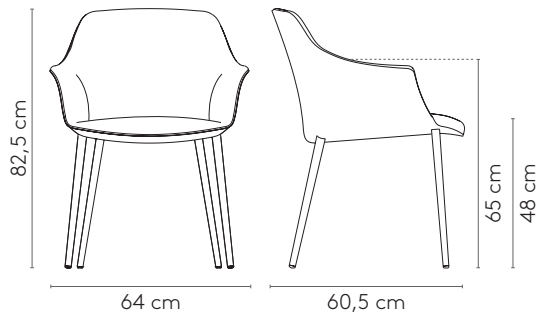
PRODUCT GUARANTEE

The product guarantee of 36 months does not cover any damages which are caused by abnormal use or wrong maintenance or care.

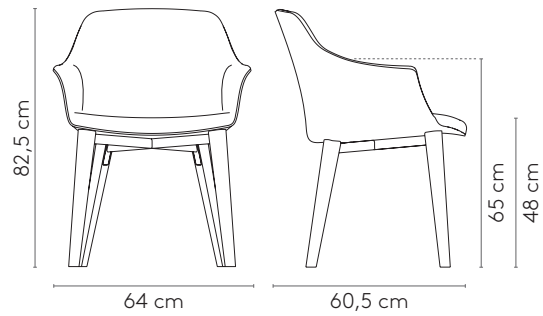
The purpose of the processing of the data provided by the user will be the accounting, tax and administrative management and the sending of commercial information that MOBILIARIO AUXILIAR DE DISEÑO, S.L. - MOBLIBERICA considers to be of interest, especially in relation to products and services offered by the company. The user may at any time exercise his/her rights of access, rectification, cancellation and opposition by notifying MOBILIARIO AUXILIAR DE DISEÑO, S.L. MOBLIBERICA. - MOBLIBERICA. Ctra.N.340 km.704,4 - 03330 Crevillent (Alicante - Spain) in accordance with the provisions of Organic Law 15/1999, on the Protection of Personal Data.

DIMENSIONS

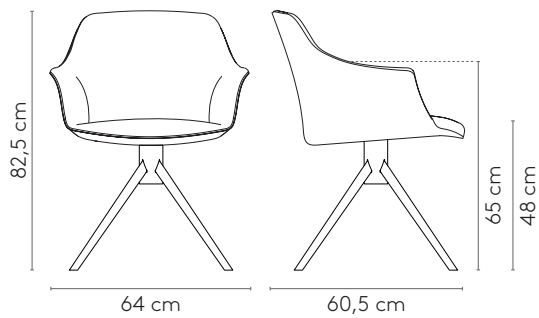
ref. 4061/4062



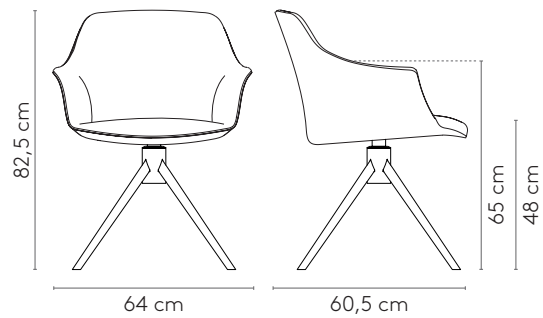
ref. 4071/4072



ref. 4065/4066



ref. 4063/4064/4067/4068



PACKAGING

	Units x box	Sizes box (m)	Box (m ³)	Weight box (Kg)
KEDUA chair - Ref.4061	1	0,67x0,62x0,59	0,25	10
KEDUA chair - Ref.4062	1	0,67x0,62x0,59	0,25	10
KEDUA chair - Ref.4063/4067	1	0,67x0,62x0,59	0,25	9
KEDUA chair - Ref.4064/4068	1	0,67x0,62x0,59	0,25	9
KEDUA chair - Ref.4065	1	0,67x0,62x0,59	0,25	9
KEDUA chair - Ref.4066	1	0,67x0,62x0,59	0,25	9
KEDUA chair - Ref.4071	1	0,67x0,62x0,59	0,25	9,5
KEDUA chair - Ref.4072	1	0,67x0,62x0,59	0,25	9,5