



# LLT wood

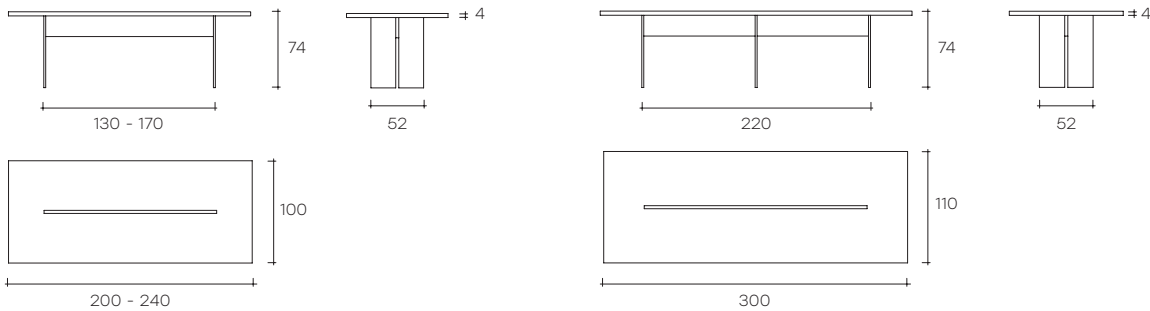
DESIGN  
DANTE O. BENINI  
E LUCA GONZO

modello registrato  
registered model

portata sul piano: 150 kg  
load capacity on top: 150 kg

Tavolo con piano in legno multistrato marino da 40 mm impiallacciato noce canaletto, o rovere "old" oppure in legno spatolato a mano con Ecomalta, spatolatura tipo materica. Struttura in vetro trasparente o extralight stratificato da 30 mm e gambe in vetro trasparente o extralight da 19 mm.

Table with top in 40 mm multilayered marine plywood veneered, canaletto walnut or "old style" oak finish, or in wood hand-finished with Ecomalta, rough texture finish. Structure in 30 mm layered glass, transparent or extralight and legs in 19 mm transparent or extralight glass.



dimensioni L, P, H dimensions L, W, H (cm)	COD./CODE	L	P/W	H	peso netto net weight (kg)	peso lordo gross weight (kg)	volume imballo package volume (m <sup>3</sup> )
Piano impiallacciato noce canaletto. Top in canaletto walnut finish.	<b>LLTW/2010N</b>	200	100	74	96	148	1,35
	<b>LLTW/2410N</b>	240	100	74	113	175	1,67
	<b>LLTW/3011N</b>	300	110	74	156	236	2,16
Piano impiallacciato noce canaletto. Base in vetro extralight. Top in canaletto walnut finish. Extralight glass base.	<b>LLTW/2010XN</b>	200	100	74	96	148	1,35
	<b>LLTW/2410XN</b>	240	100	74	113	175	1,67
	<b>LLTW/3011XN</b>	300	110	74	156	236	2,16
Piano impiallacciato rovere "old". Top in "old style" oak finish.	<b>LLTW/2010RO</b>	200	100	74	96	148	1,35
	<b>LLTW/2410RO</b>	240	100	74	113	175	1,67
	<b>LLTW/3011RO</b>	300	110	74	156	236	2,16
Piano impiallacciato rovere "old". Base in vetro extralight. Top in "old style" oak finish. Extralight glass base.	<b>LLTW/2010XRO</b>	200	100	74	96	148	1,35
	<b>LLTW/2410XRO</b>	240	100	74	113	175	1,67
	<b>LLTW/3011XRO</b>	300	110	74	156	236	2,16



dimensioni L, P, H dimensions L, W, H (cm)	COD./CODE	L	P/W	H	peso netto net weight (kg)	peso lordo gross weight (kg)	volume imballo package volume (m³)
Piano spatolato in Ecomalta. Hand-finishes Ecomalta wood top.	<b>LLTW/2010EC</b>	200	100	74	96	148	1,35
	<b>LLTW/2410EC</b>	240	100	74	113	175	1,67
	<b>LLTW/3011EC</b>	300	110	74	156	236	2,16
Piano spatolato in Ecomalta. Base in vetro extralight. Hand-finishes Ecomalta wood top. Extralight glass base.	<b>LLTW/2010XEC</b>	200	100	74	96	148	1,35
	<b>LLTW/2410XEC</b>	240	100	74	113	175	1,67
	<b>LLTW/3011XEC</b>	300	110	74	156	236	2,16

#### PIANO IN ECOMALTA - ECOMALTA FINISH TOP

FINITURE FINISHES	CODICE CODE
Tabacco Tobacco	<b>MTA</b>
Nero Assoluto Absolute Black	<b>MNE</b>

#### PIANI CUSTOM \_ CUSTOM TOPS

Tavolo LLT Wood è realizzabile anche con dimensioni a misura.  
Custom size LLT Wood available on request.

GAMBA LEG	MISURA MINIMA DEL TOP MINIMUM DIMENSION OF THE TOP	MISURA MASSIMA DEL TOP MAXIMUM DIMENSION OF THE TOP
L cm 90X45	160X80	180X90
L cm 130X52	190x100	220x120
L cm 170x52	230x100	280x120
L cm 220x52	290x100	305x120



---

**FINITURE  
FINISHES**

---

**Piano in legno  
Wood top**

noce canaletto  
canaletto walnut



rovere "old"  
"old style" oak

**Piano in legno spatolato con Ecomalta®  
Ecomalta® hand-finished wood top**

nero assoluto  
absolute black



tabacco  
tobacco